

Sanitary partition wall type VK13

Cubicle system made of 13 mm solid grade laminate

schäfer[®]
Trennwandsysteme



Stylish and elegant partitioning.



BEFORE WE
EXPECT TRUST FROM
OUR CUSTOMERS,
WE PROVIDE EVIDENCE
that's us!

ENVIRONMENT & SUSTAINABILITY *that's us!*

Sustainable management and careful use of resources are a matter of course for us and part of our corporate philosophy. This basic idea is consistently integrated and lived in our work processes. We are proud to be the first certified manufacturer of partition systems and lockers in Germany to operate according to the FSC™ and PEFC guidelines.

PEFC - registered

We pay attention to a sustainable supply chain in which our products are procured under ecological, economic and socially just aspects.

FSC™ - certified

As the first certified manufacturer in the area of partition systems and lockers in Germany, we make an active contribution to the protection of our earth with this future-oriented procurement method. We supply almost our entire range from sustainable wood in accordance with the specifications of the FSC™.



PEFC/04-31-3143



On request
the products are
available with
FSC™ certification

TÜV NORD GS TESTED SAFETY *that's us!*

Tested and certified by TÜV NORD these products meet the requirements of the Product Safety Act ProdSG § 21 Registration No. 44 329 14148812.



MADE IN GERMANY *that's us!*

Our products are manufactured for you at the company site in Horhausen, Rhineland-Palatinate. This is the only way we can guarantee the high quality standards we set for our products.



PREQUALIFIED *that's us!*

We are registered in the list of prequalified construction companies with the number 010.049740, proving that we are qualified for the products and services we offer.



INNOVATIVE & DESIGN-ORIENTED *that's us!*

With our design-oriented and innovative products, we convince not only our customers, but also national and international committees.



reddot winner 2021





Individuality for all cases.

The ingenious combination of high stability, absolute water resistance, easy cleaning and sophisticated design means that Schäfer toilet partition type VK13 cubicle system in 13 mm solid grade laminate panels are suitable for all areas of use. Regardless of whether toilet, shower or changing room, the Schäfer VK13 cubicle system leaves enough options open for individual space and colour design.



Interesting facts about VK13

WC partition walls made of 13 mm solid grade laminate

- Fully waterproof construction
- Suitable for wet and dry areas
- Solid and durable construction
- Large variety of decors and colours
- Individual colour combinations (2) are a design element and orientation aid at the same time
- Customised motif prints optionally available
- Vertical profiles provide high stability. They are additionally drilled into the head profile and guided down to the floor
- Profiles and HPL panels (3) are available in the same colour shade
- System will be produced acc. to the building site dimension



(3)
**Everything perfectly under control
with INSAFE**

- Large red and white window on the inside of the cubicle offers the user a secure feeling of having locked
- Large window at the outside makes it easier to find a free cubicle
- Handle is easy, child-friendly to use
- Made of robust and easy-care aluminium

(4) + (5)
All-rounder VK13

- Great freedom of design in material and colour
- Individual room concepts can be created
- Particularly robust and durable
- Maintains an attractive appearance even after many years of use
- Colour and size of the back panels can be individually designed

In order to meet the needs of people with disabilities, the width of the doors is generous, and they are equipped with an easy-grip handle.



(1) + (2)

Privacy screens made of solid grade laminate

- Wall-mounted privacy screens
- Made of 13 mm solid grade laminate
- Revolving edge is always black
- Installed with durable aluminium holders
- Waterproof
- Wall-mounted structures without bottom support feet are particularly hygienic, since floor cleaning can then be faster and more efficient
- Wide range of colors available
- Motif prints are optionally available
- Privacy screens will be produced acc. to the building site dimension

(3)

Privacy screens made of glass

- Wall hanging construction
- Made of enamelled safety glass (ESG-H)
- Mounting by means of discreet aluminium or stainless steel brackets
- Hygienic and easy to clean
- Waterproof
- Easy floor cleaning due to the construction
- Colour selection according to RAL colour chart
- Motif prints optionally possible
- Privacy screens will be produced acc. to the building site dimension

Features type VK13

Supports:



- Height-adjustable support foot made of stainless steel
- Complies with DIN 1.4301
- This variant is utilised when powder-coated profiles are used



- Height-adjustable support made of anodised aluminium (E6/EV1)
- This variant is used with the anodised profiles

Hinge:



- Anodised aluminium rising hinge with high-performance polymer
- These inserts guarantee absolute freedom from maintenance and a silence closing of the door
- The parts never wear out or show signs of fatigue, ensuring that the doors still close perfectly even after years of use
- Stainless steel tapping screws are used to screw stainless steel hinges to a plate equipped with tapping holes

Finger protection:



Optionally available:

- Two interlocking aluminium profiles on the hinge side
- Highly effective and durable finger pinch protection
- Integrated self-closing function

Variations of accessories type VK13

Hardware:



Nylon
one hand door knob



Stainless steel
one hand door knob



Aluminium
one hand door knob
INSAFE

Buffer and hooks:



Aluminium buffer
Schäfer AL7015



Stainless steel buffer
Schäfer ES6015



Nylon buffer
Schäfer N8015



Aluminium hook
Schäfer AL7011



Stainless steel hook
Schäfer ES6011

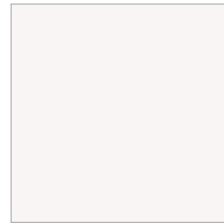


Nylon hook
Schäfer N8010

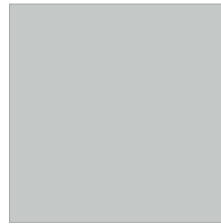
[To the sanitary accessories >](#)

Colours type VK13

Panels:



2001
Weiß



2002
Silbergrau



2010
Aluminiumgrau



2004
Anthrazit



2006
Limonengrün

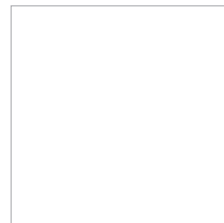


2007
Atlantik

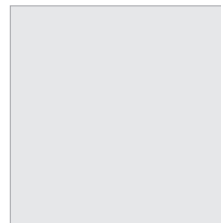


2008
Pflaume

Profiles:



RAL 9010
Reinweiß

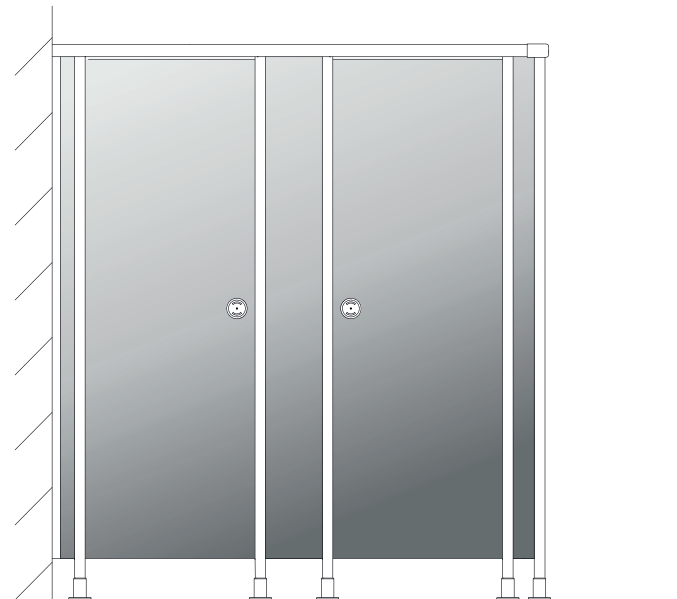
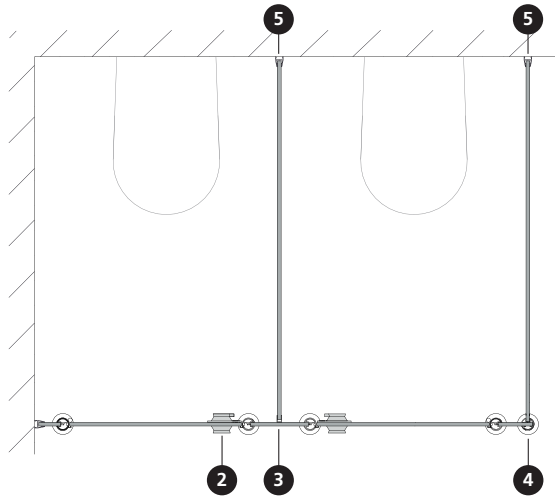


E6/EV1
Eloxiert

Special colours for panels, profiles in all RAL colours and special accessories are available upon request. Ask us!

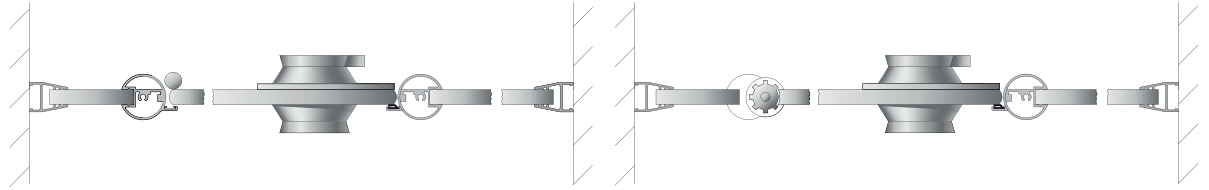
There may be a difference between printed colours and real colours.

Technical design of cubicle system type VK13



2 Section of the cubicle front, with one hand door knob made from aluminium or stainless steel

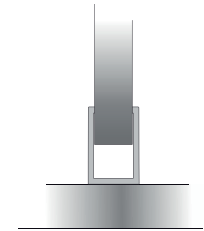
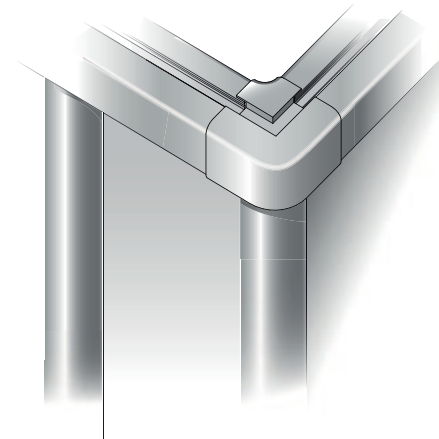
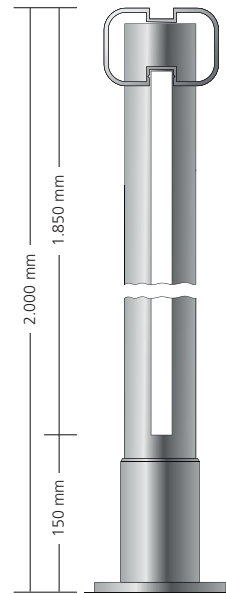
2 Section of the cubicle front, with one hand door knob and aluminium finger-protection hinge as optional



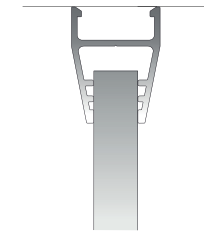
1 Front height section

4 Corner connection

3 Front to partition wall connection



5 Wall connection



The continuous vertical profiles are drilled into the head rail to ensure optimum stability.

We reserve the right to make technical alterations.



reddot winner 2021



GERMAN
INNOVATION
AWARD '22
WINNER

